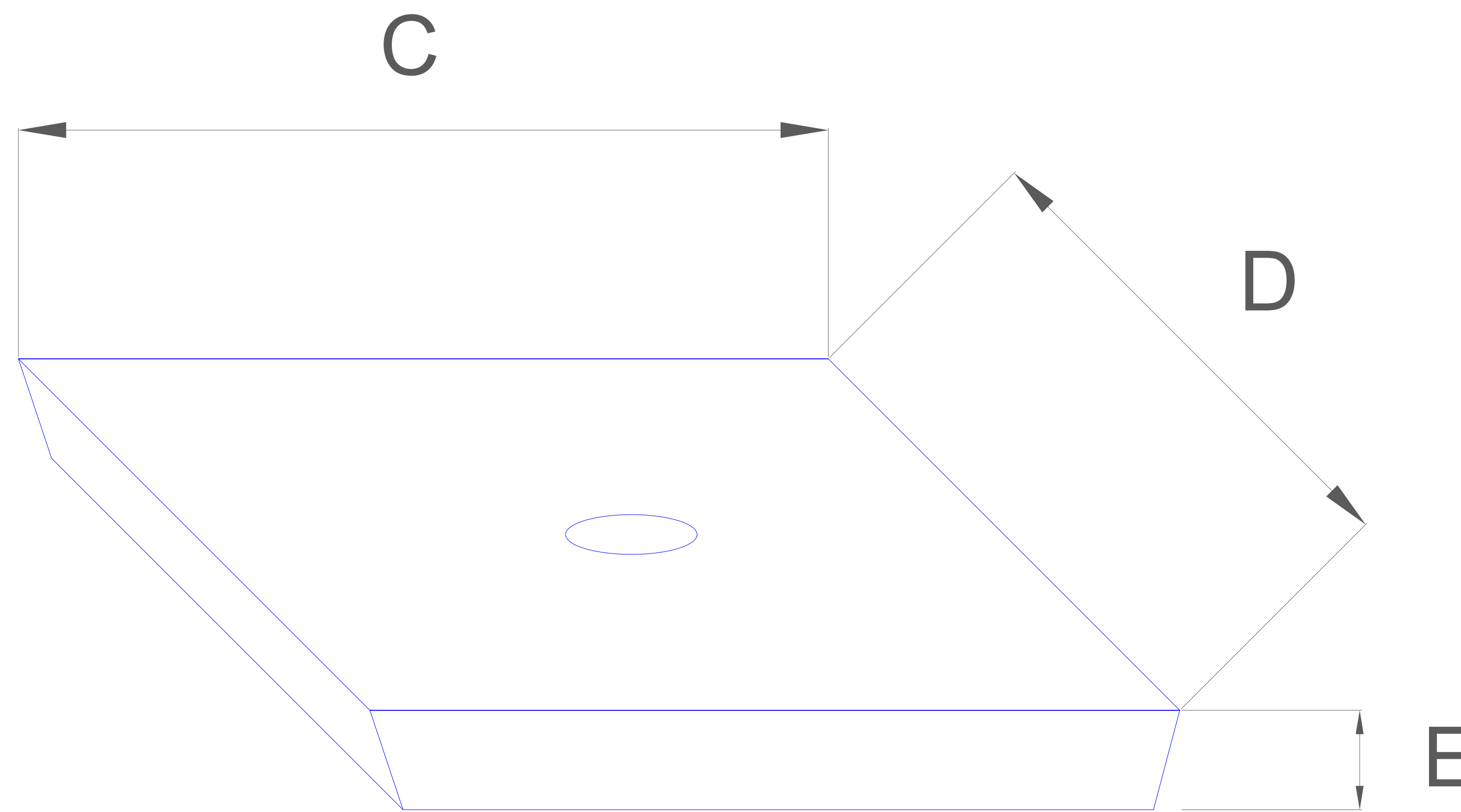
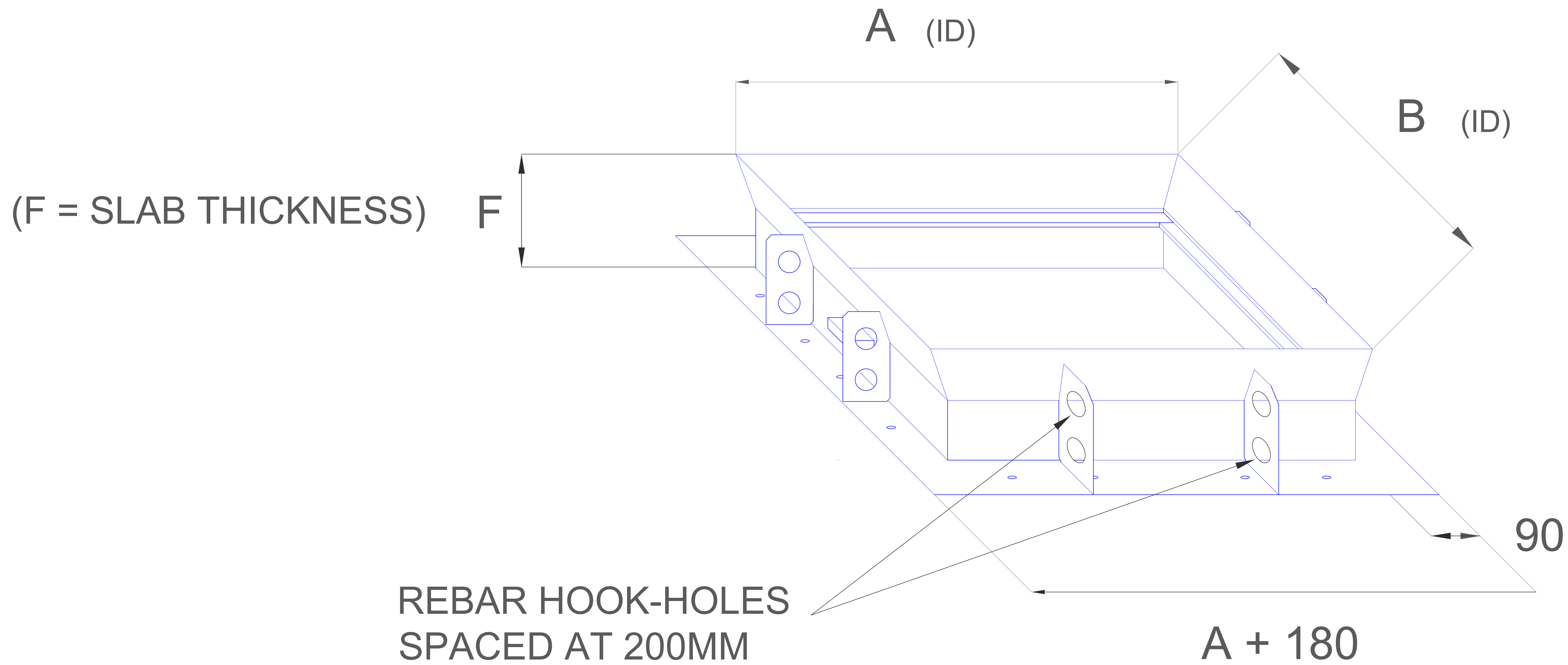


SIZES FOR HAND-LIFT LID & FRAME					
FRAME		LIFT LID			
LENGTH	WIDTH	LENGTH	WIDTH	DEPTH	
A	B	C	D	E	
HEAVY -	610	510	600	500	100
MEDIUM -	610	410	600	400	100
LIGHT -	510	410	500	400	90

HEAVY -  
MEDIUM -  
LIGHT -



REINFORCED  
CONCRETE  
LID



3CR12  
FRAME

## SIZES FOR HAND-LIFT LID & FRAME